

PUNCH DECK®

Fire Protection:

- **Fire Protection** - Large openings (50% open area for common rack sizes) allow sprinkler water through to lower levels.

- **Product Friendly** -

Punch Deck's smooth top surface reduces product hang-ups that can cause damage.



- **Ergonomically Designed** -

Hand stacked boxes slide on and off easily without catching.

- **Uniform Strength** - Punch Deck's repeating corrugations provide uniform strength across the entire shelf and minimize local surface distortions.

- **No Waterfall Edge** - Punch Deck is flush with the top of the step beam allowing for easy labeling and bar coding on the face of the beam.

- **Freight Savings** - Up to 3 times more square footage of Punch Deck can be shipped on a single truck than most other deck products.

- **Attractive Look** - Bright galvanized finish gives your warehouse a sleek clean look that is easy to maintain.

- **Pricing** - Punch Deck is priced competitively with other decking products.

- **Short Lead Times** - Most standard sizes are available for quick shipments. Check with DACS for specific project lead times.

- **Typical Storage Applications**

- Office Records
- Furniture (both pallet & cantilever rack)
- Mattresses
- Carpeting and Flooring
- Garments
- Small Boxes
- Rolled Fabrics & Cloth
- Building Components
- Auto Parts
- Bagged Goods

Rack Deck
800-909-4937

Fax: 800-909-4938

e-mail: info@rackdeck.com

www.rackdeck.com

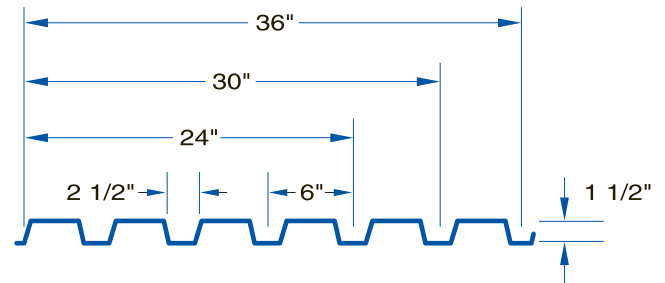
PUNCH DECK LOAD TABLES

	Rack Depth - lb/sq. ft.							
	36"	42"	48"	50"	54"	60"	66"	72"
Punch Deck® 101	200	135	91	80	64			
Punch Deck® 201	225	194	130	115	91	70	50	
Punch Deck® 301	250	200	178	158	125	92	70	50

	Rack Depth - kg/sq. m.							
	915mm	1065	1220	1270	1370	1525	1676	1830
Punch Deck® 101	978	660	445	391	313			
Punch Deck® 201	1100	949	636	562	445	342	245	
Punch Deck® 301	1223	978	870	773	611	450	342	245

Capacities are based on uniform distribution, span/180 maximum deflection and 24 KSI maximum steel stress.

AVAILABLE WIDTHS



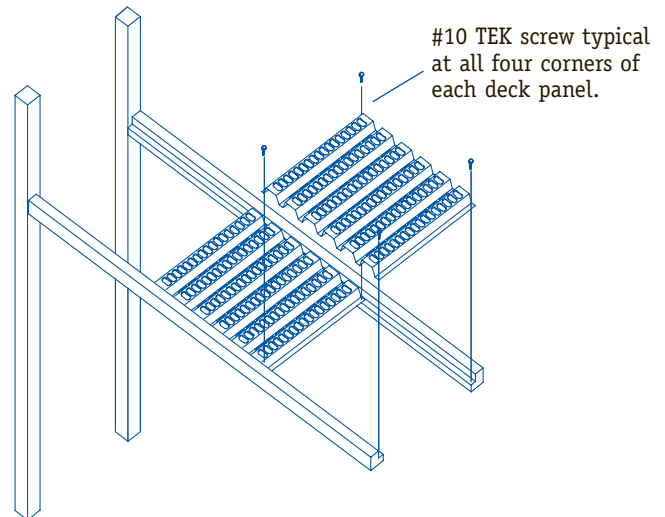
Combine to achieve desired rack shelf coverage.

Examples: 96" = 2@30" + 1@36"

108" = 3@36"

144" = 4@36"

PUNCH DECK INSTALLATION RECOMMENDATIONS



Step 1 - Place 1st panel into step beams at far left side of shelf. Position panel so required transverse flue space is maintained between left edge of panel and shelf in adjacent rack bay.

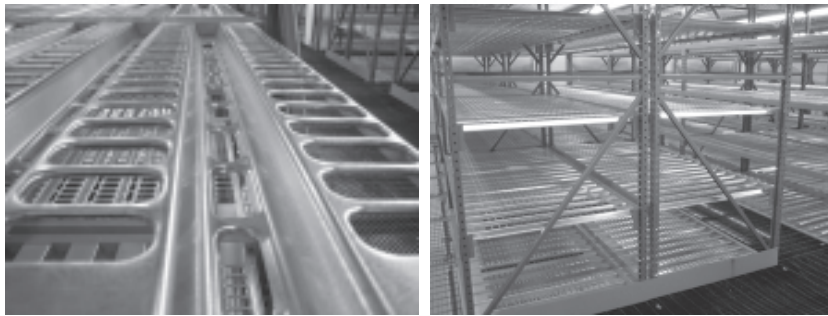
Step 2 - Tek screw 2 left hand corners of 1st panel into step beam.

Step 3 - Position remaining deck panels into step beam, overlapping as required at joints.

Step 4 - Tek screw remaining panels into beam through overlapping joints and at 2 right hand corners.

PUNCH DECK®

Open Area Corrugated Rack Deck



Fire Protection

Open area conforms to the latest
sprinkler codes



Product Friendly

Smooth surface prevents product damage

Uniform Strength

High capacity with low deflection

No Waterfall Edge

Flush design for easy labeling on beam face



Hi-Tech Look

Bright, galvanized finish-or can be
powder coated

Ergonomically Designed

No product hangups that can cause injuries

RACK DECK 800.909.4937

rackdeck.com

Toll-Free Fax: 800.909.4938