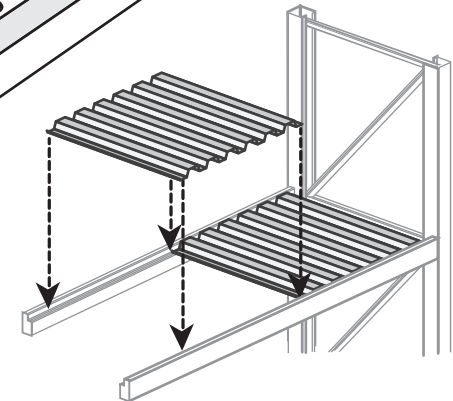
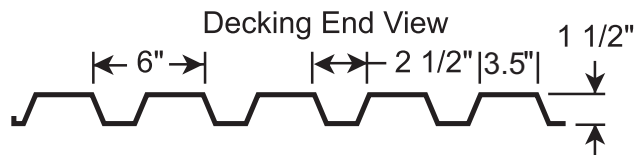
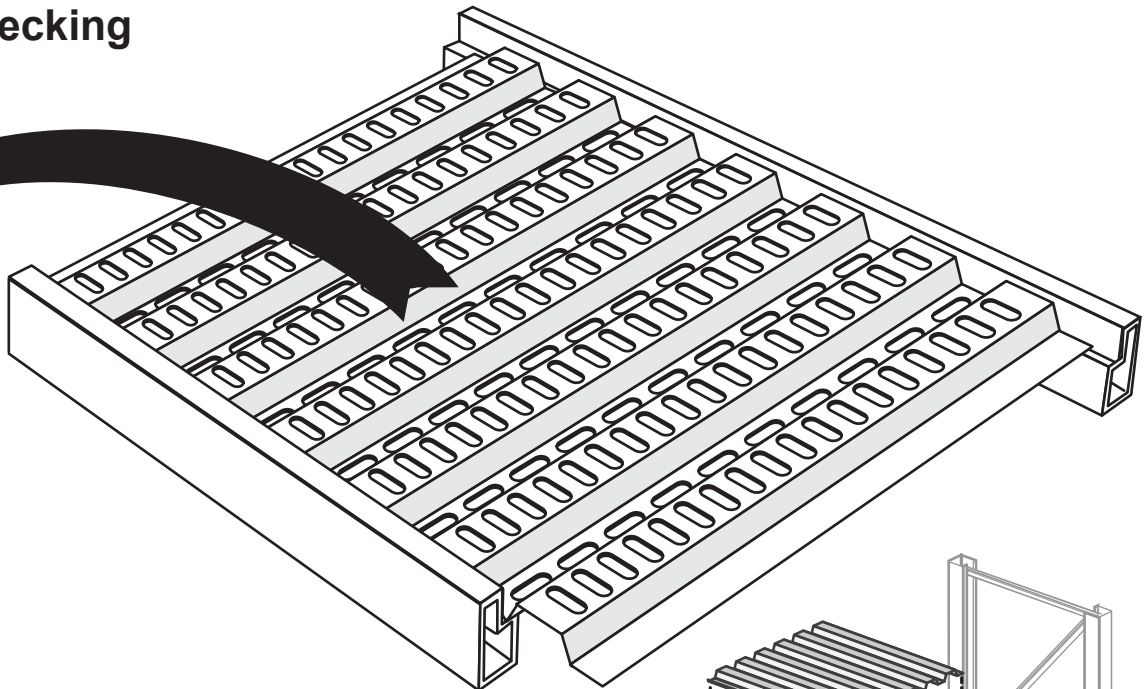
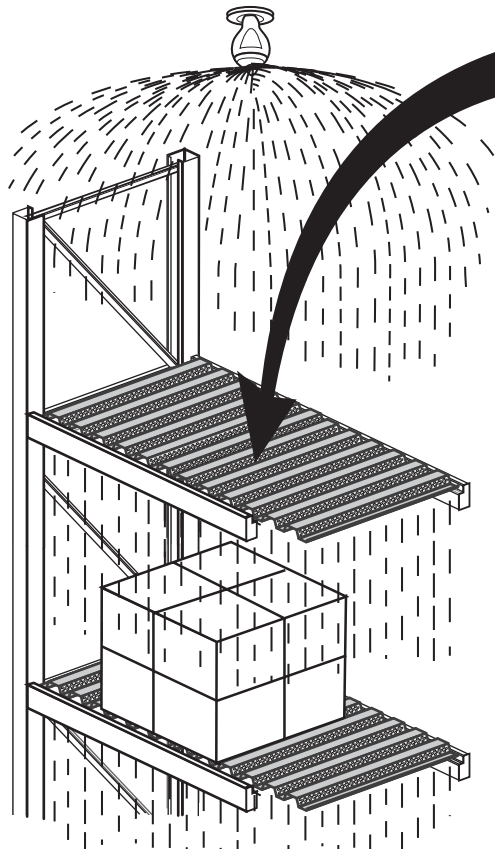


PUNCH DECK®

Open Area, Water Drainage Decking



U.S. Patent #6,401,944

PUNCH DECK LOAD TABLES

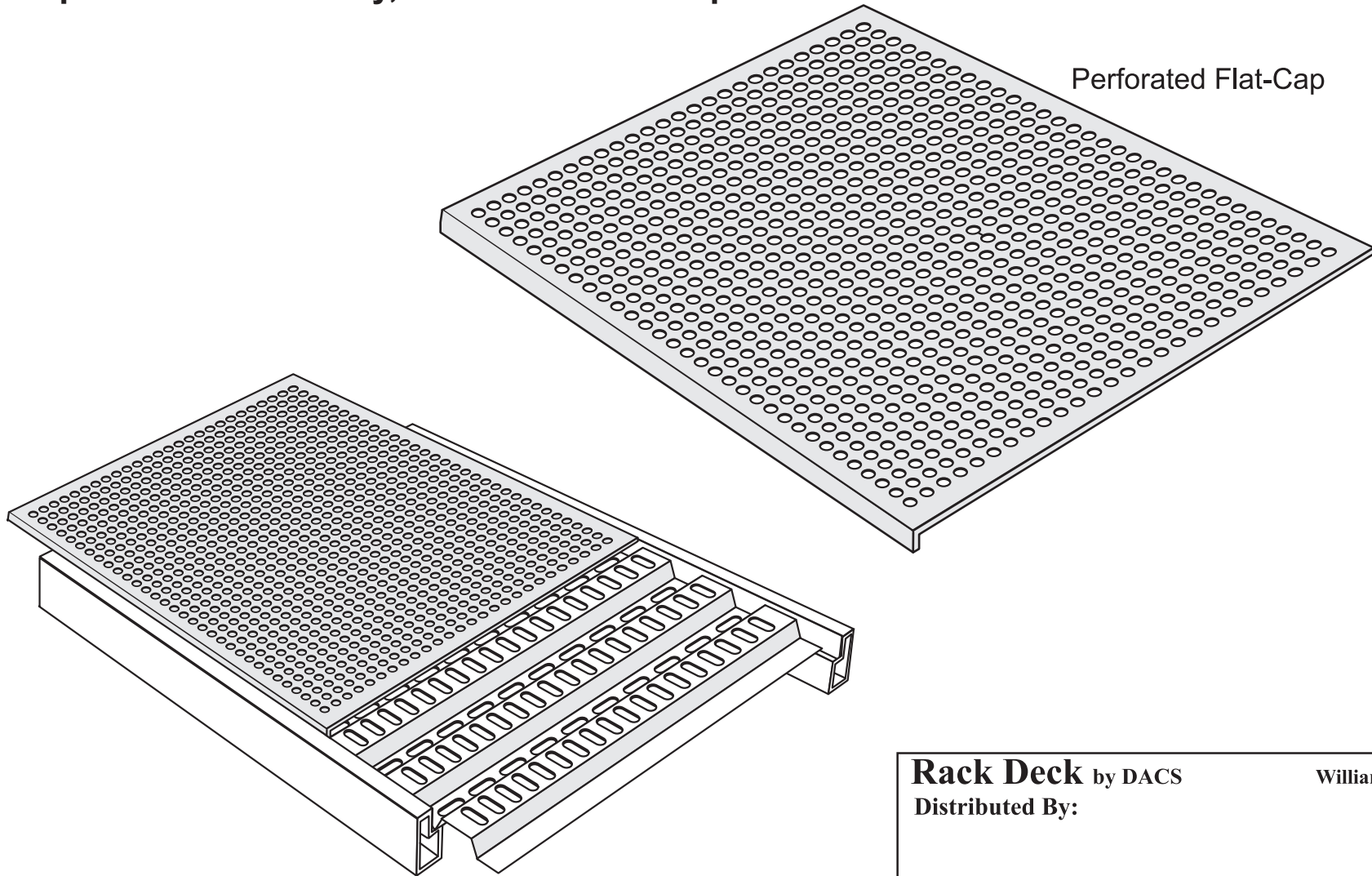
	Rack Depth - lb/sq. ft.							
	36"	42"	48"	50"	54"	60"	66"	72"
Punch Deck® 101	200	135	91	80	64			
Punch Deck® 201	225	194	130	115	91	70	50	
Punch Deck® 301	250	200	178	158	125	92	70	50

Rack Deck by DACS
Distributed By:

Williamsburg, VA

PUNCH DECK® PLUS

Open Area Accessory, Perforated Flat-Cap



Perforated Flat-Cap

Corrugated Steel Deck with sheet metal "cap" on ID of rack beam

Rack Deck by DACS
Distributed By:

Williamsburg, VA