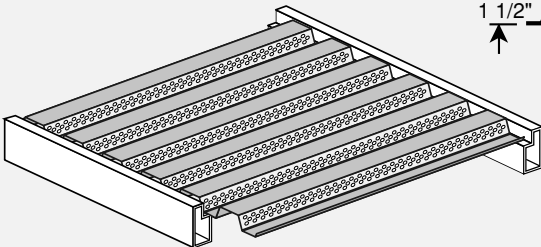


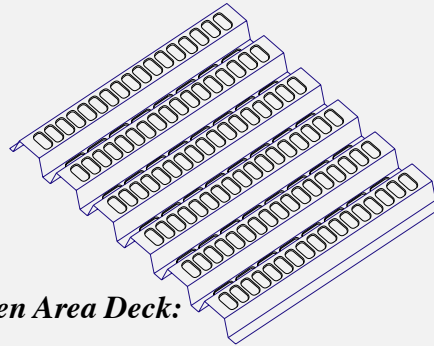
# Corrugated Steel – The Strongest Deck Choice Available

*What's up and down and*

**Rack Deck's corrugated steel decking for racks, mezzanines and shelving!**

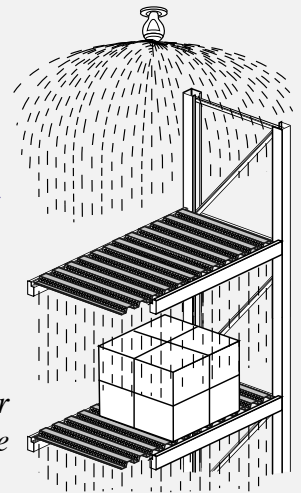


*Perforated: Galvanized Finish*

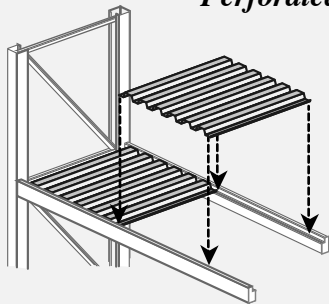


*Punch-Deck, Open Area Deck:*

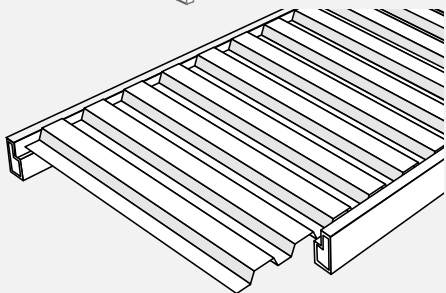
*Galvanized Finish*



*Holes allow for Rapid Drainage*

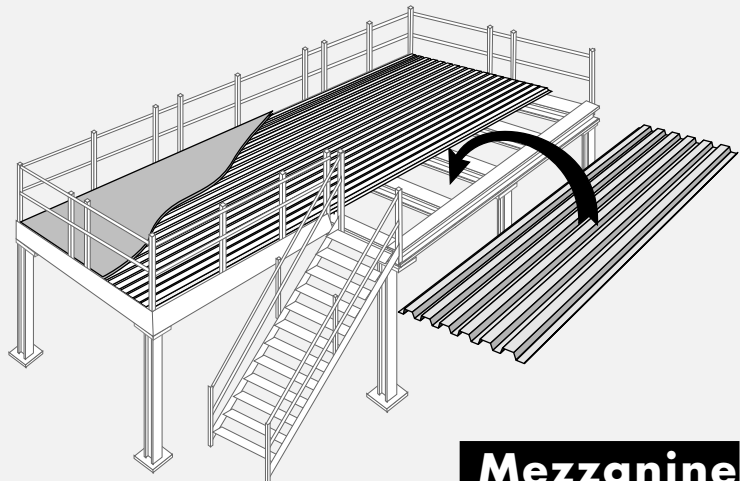


*Easy, Drop-In Installation*

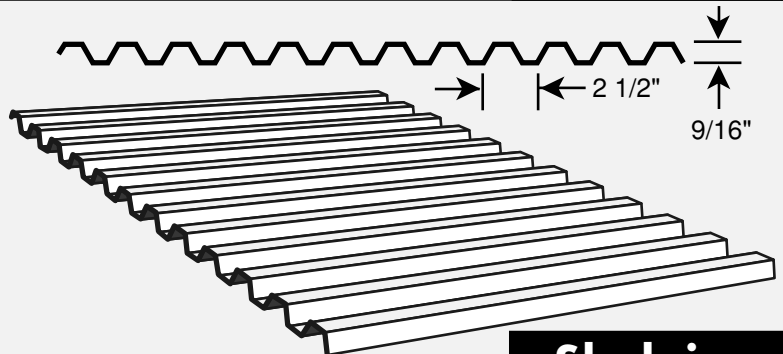


*Solid: Painted, Galvanized,*

## Racking



## Mezzanine



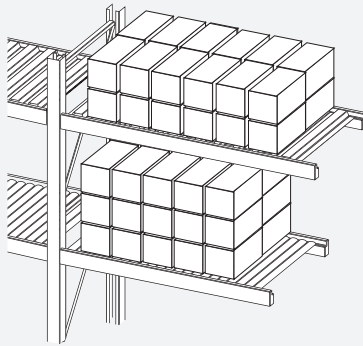
## Shelving

- Strong, durable, low maintenance
- Fast quotes
- Standard delivery within 2-3 weeks
- Common and custom-engineered sizes
- Bright white finish for mezzanine decking
- Ships in dense bundles for low freight costs
- Smooth, for easy slide in and out of material
- Quick, simple to install in common step-beams
- Web site = lit downloads, color brochure
- Rolled formed to any lengths
- Sits flush in standard 1-5/8" step beam

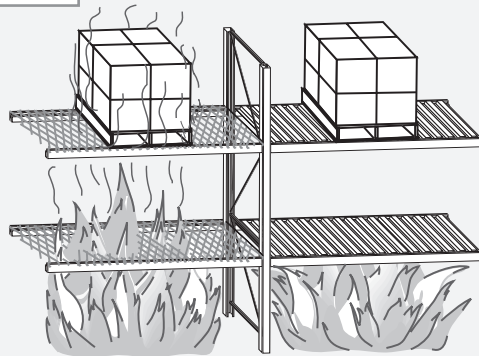
**CONTACT** your local representative or call Rack Deck for the name of a representative near you.

Distributed by:

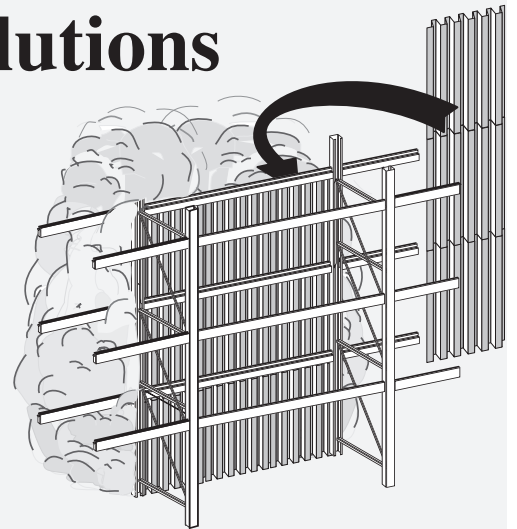
# Decking Solutions



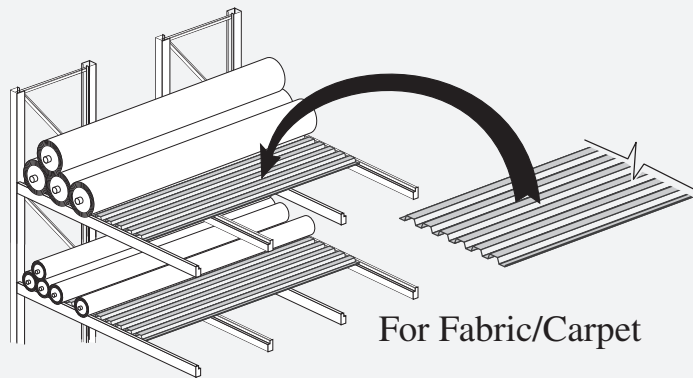
For Records Storage



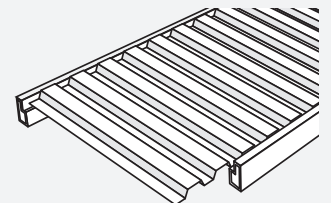
Open Deck vs Solid Steel Deck



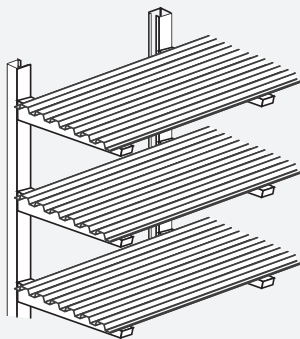
Smoke & Fire Baffles



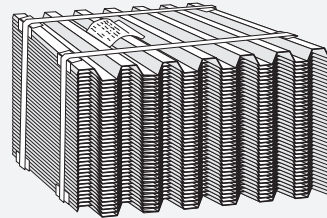
For Fabric/Carpet



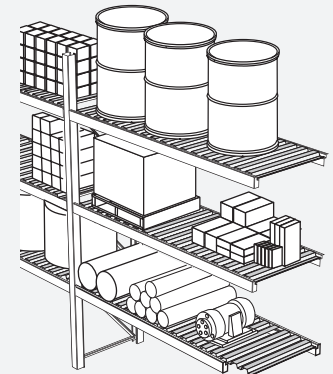
Fits Any Standard Step Beam



For Cantilever Racking



Dense Bundles Save Freight



For Bulk Storage

**FAX-BACK QUOTE SHEET**  
**Corrugated Steel Decking**

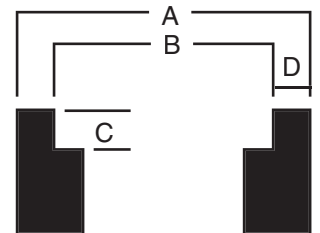
**Rack Deck** by DACS  
[www.rackdeck.com](http://www.rackdeck.com)

Phone: 800 909-4937  
Fax: 800 909-4938

Brand Name and Model Number of Storage Rack: \_\_\_\_\_  
Capacity Per Shelf Level: \_\_\_\_\_  
Number of Levels Needing Decking: \_\_\_\_\_  
Length of Beam (inside columns): \_\_\_\_\_  
**Check Style of Decking:** Solid \_\_\_\_\_ Perforated \_\_\_\_\_ 50% Open \_\_\_\_\_  
Special Loading Requirements: \_\_\_\_\_

Beam Dimensions:

A: \_\_\_\_\_  
B: \_\_\_\_\_  
C: \_\_\_\_\_  
D: \_\_\_\_\_



### Send me more information

Company \_\_\_\_\_  
Name \_\_\_\_\_ Title \_\_\_\_\_  
Address \_\_\_\_\_  
Phone \_\_\_\_\_ FAX \_\_\_\_\_  FAX me information

**CONTACT** your local representative shown above or call Rack Deck for the name of a representative near you.